



## Features

- Fanless Design
- Intel® Atom™ Processor D2550
- Onboard 4GB DDR3
- 11~32V DC wide-ranging power input
- Total 6 sides IP65
- 5-Wire Resistive Touch Screen



## Specifications

### System

Processor	Intel® Atom Processor D2550 (1M Cache, 1.8 GHz)
System Chipset	Intel NM10 Express
System Memory	Onboard DDR3 4GB

### IO Port

Standard M12 I/O Connector	1 x M12 8pin for USB 1/2
	1 x M12 8pin for USB 3/4
	1 x M12 8pin for COM 1/RS-232/422/485 (Default RS-232)
	1 x M12 8pin for COM 2/RS-232
	1 x M12 8pin for LAN
	1 x M12 3pin DC Power

### Storage Space

HDD	1 x 2.5" HDD space
-----	--------------------

### Expansion

On board expansion bus	1 x Mini PCIe half size Option WLAN/BT Module and Antenna at rear side
------------------------	---

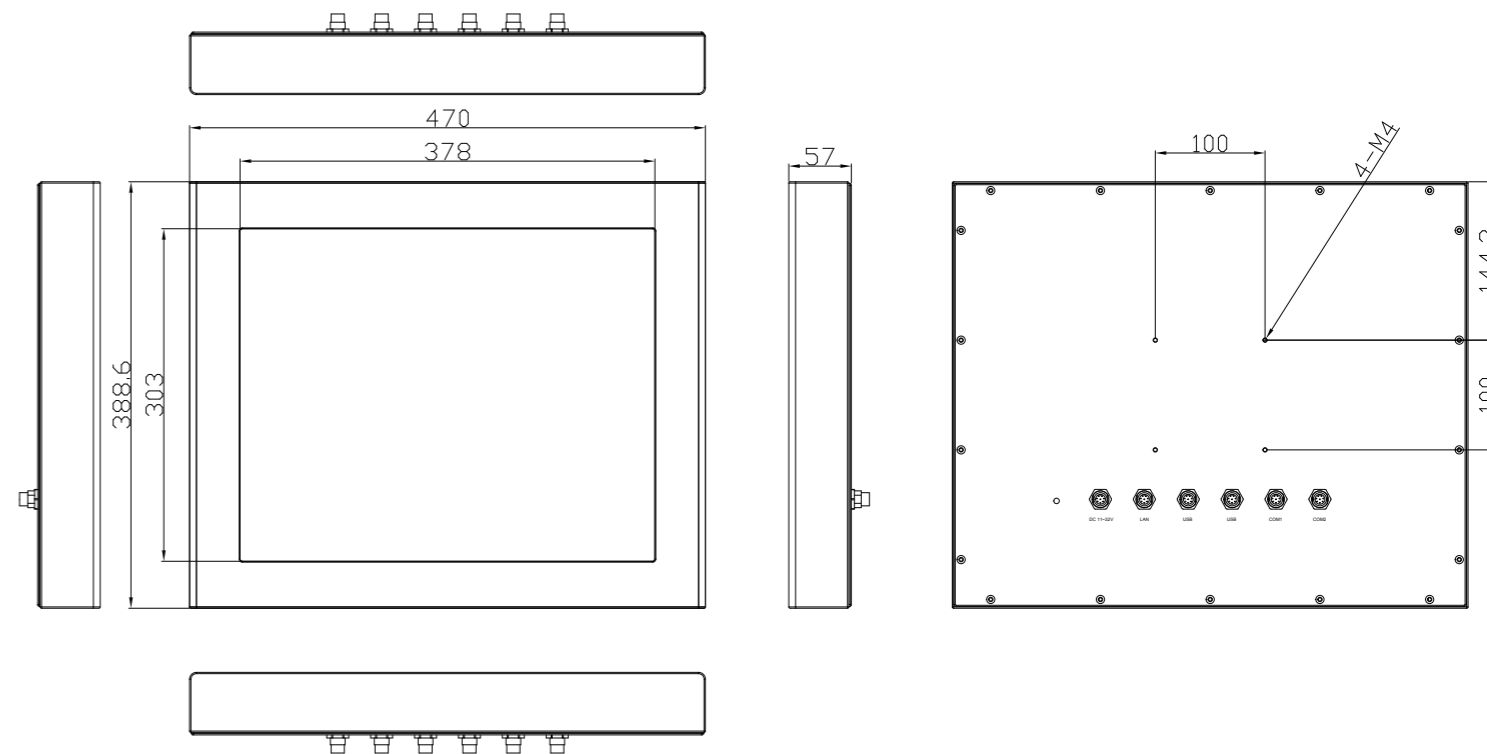
### Display

Display Type	19" TFT-LCD
Max. Resolution	1280 x 1024
Max. Color	16.2M
Luminance (cd/m <sup>2</sup> )	350
View Angle	170/160
Contrast	1000:1
Backlight Lifetime	50,000

### Touch Screen

Type	Resistive Touch
Interface	Default USB
Light transmission (%)	80%

## Dimensions



### Power

Power input	11~32V DC
-------------	-----------

### Mechanical

Construction	Stainless Steel
IP Rating	Total 6 sides IP65
Mounting	VESA 75 x 75
Dimension (mm)	470 x 388.6 x 57
Net Weight (Kgs)	9.5

### Environmental

Operating temperature(°C)	0~50°C (with HDD) -20~60°C (with Industrial Storage)
Storage temperature(°C)	-20°C ~ 60°C
Storage humidity	10 to 90% @ 40°C, non-condensing
Certification	CE/FCC class A

### Operating System Support

Microsoft Windows 7 pro for embedded, Windows embedded standard 7

### Ordering information

APC 3997BT-10	19" SXGA IP65 Intel Atom D2550 1.8G fan less panel PC, DDR3 4G on board, 2.5" SATA 2 320GB Industrial HDD, resistive touch, 11~32VDC power input with adaptor, stainless steel enclosure
---------------	--